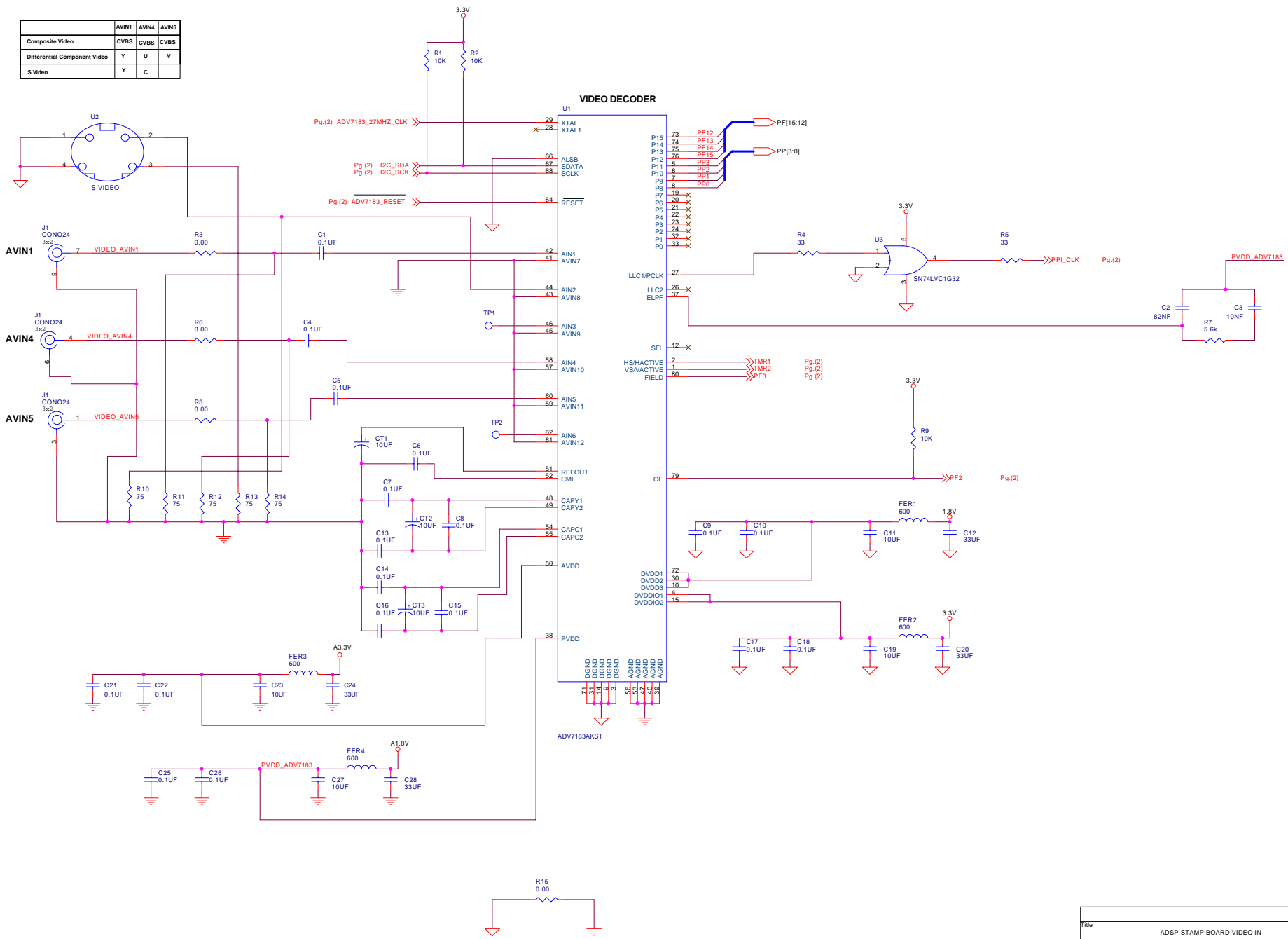
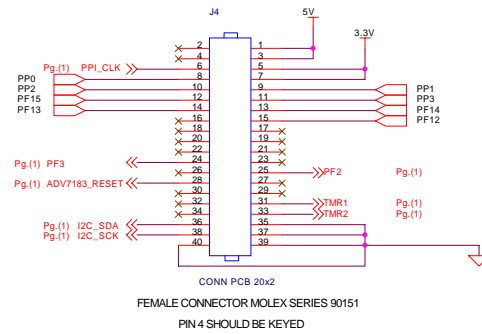
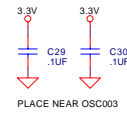
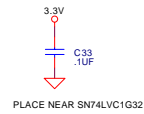
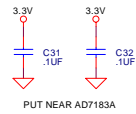
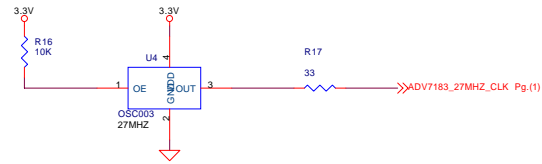


	AVIN1	AVIN4	AVIN5
Composite Video	CVBS	CVBS	CVBS
Differential Component Video	Y	U	V
S Video	Y	C	



Title			ADSP-STAMP BOARD VIDEO IN
Size	Document Number	Rev 1.0	
C			
Date:	Friday, March 05, 2004	Sheet	1 of 2



Title		
ADSP-STAMP BOARD VIDEO IN PPI CONNECTOR		
Size	Document Number	Rev
C		1.0
Date:	Tuesday, March 09, 2004	Sheet 2 of 2